

Constant Current Multichannel Receiver

For RF dimmers/controllers (WiFi compatible)

Suitable for RGB & RGBW LED tape

Commercial Grade



4-channel wireless receiver unit, compatible with RGB/RGBW controllers or white/single-colour dimmers (for multizone projects).

Outputs 4.2 – 12.6 watts per channel.

Synchronise multiple receiver units all to a single zone, or pair them independently to different controller zones. Simply press the receiver's button to set up the link with your controller.

RF wireless connection range: up to 20 metres.

The multichannel wireless receiver also offers the option to control via wifi. Using wifi enables control via wifi-connected dimmers/controllers, or through a smartphone/tablet app that can entirely eliminate the need for a controller.

wiring / connections

Multichannel wireless receiver

Multiple controllers can be used



quick spec sheet

Product code: RC-CC-RGB

Physical construction

Colour	White
Materials	Plastic
IP Rating	IP22
Length	178 mm
Width	46 mm
Depth	22 mm

Electrical

Output current	4 x 350mAs
Wattage	4.2 W ~ 12.6 W per channel



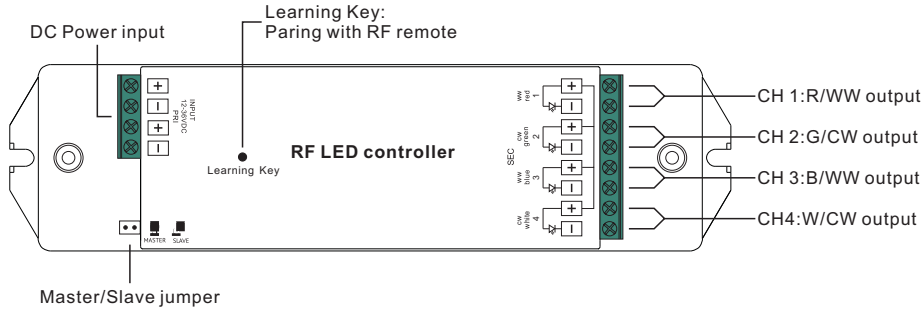
<https://www.instyleled.co.uk/constant-current-multichannel-receiver/>

Universal series RF Receiver



Important: Read All Instructions Prior to Installation

Function introduction



Product Data

No.	Input Voltage	Output Current	Output Power	Remarks	Size(LxWxH)
1	12-48VDC	4x5A	4x(60-240)W	Constant voltage	178x46x22mm
2	12-48VDC	4x350mA	4x(4.2-16.8)W	Constant current	178x46x22mm
3	12-48VDC	4x500mA	4x(6-24)W	Constant current	178x46x22mm
4	12-48VDC	4x700mA	4x(8.4-33.6)W	Constant current	178x46x22mm

- Radio Frequency : 869.5/916.5/434mhz
- Waterproof grade: IP20

Safety & Warnings

- DO NOT install with power applied to device.
- DO NOT expose the device to moisture.

Pair/delete the pairing with RF remote

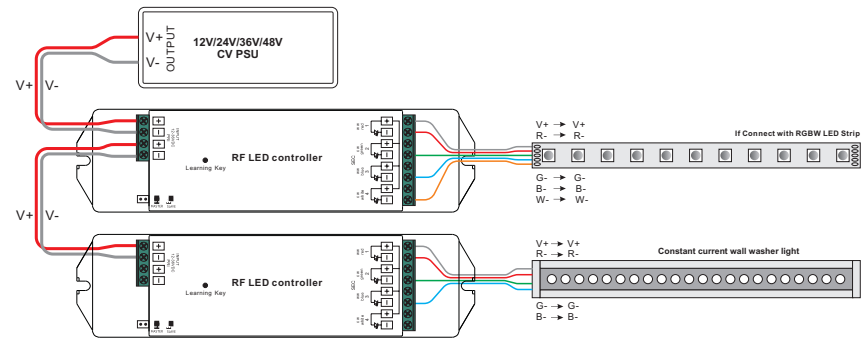
1. Do wiring according to connection diagram.
2. Pair RF Receiver with RF remote: please refer to the instruction of the remote that you would like to pair with.
3. Delete the pairing:
 - (1) Wire up the RF receiver correctly, power on.
 - (2) Press and hold down the " **Learning Key** " button on receiver for over 3 seconds until the connected light flashes, which means well deleted.

Master and Slave Setting:

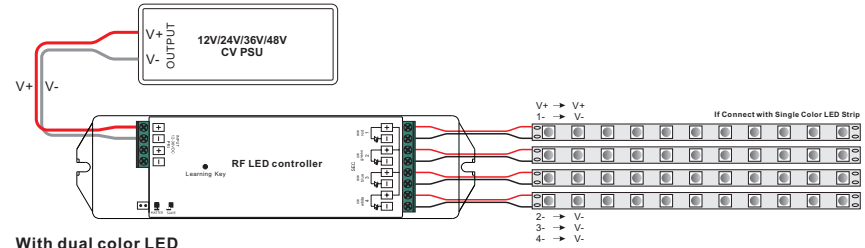
1. The receiver has both master and slave functions which can be set with a jumper. Short circuit of the jumper means master function, and open circuit means slave function. Once short circuit the jumper on a receiver, please power off and power on the receiver to enable master function. Setting master and slave enables perfect synchronization of color changing effects.
2. Set one receiver as master and pair it to any zone of a remote, and this zone shall only have one receiver which works as master. Set all other receivers as slave and pair them to other zones of the remote, and multiple receivers can be paired to each zone. Then choose all zones on the remote and play the color changing effects, the master will send sync signal to the slaves to achieve perfect synchronization. The max. sync distance between the master and any slave is within 30m.

Wiring Diagram

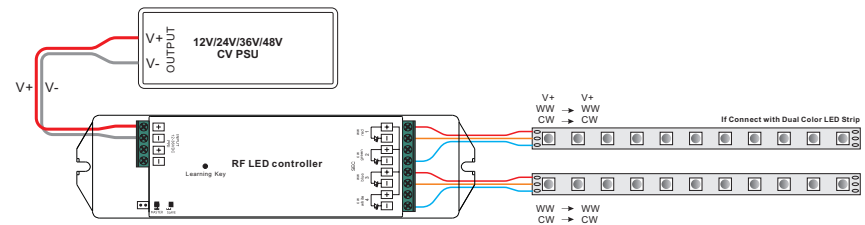
With RGB/RGBW color LED



With single color LED



With dual color LED



Product Dimension

