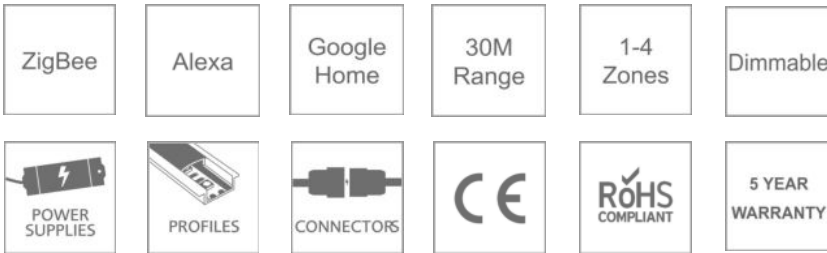


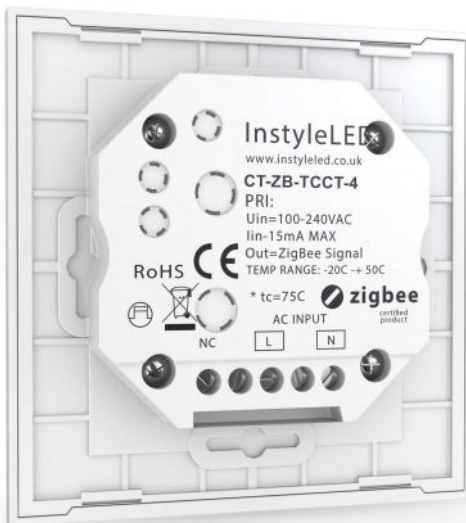
# Zigbee Wireless Wall Controller ( CCT )

SPECIFICATION SHEET



## ■ PRODUCT SPECIFICATION

Connectivity	ZigBee 3.0 protocol
Input Voltage	100v - 240v AC
Dimmable	Yes : 0.1% - 100%
Independent Zones	1-4
Wireless Range	Up to 30 metres
Colour	White
Operation Frequency	2.4GHz
Operating Temperature	0-40°C
Relative Humidity	8% to 80%
Warranty	5 years
Certificated	CE + RoHS
Dimensions (mm)	86 x 86 x 29.1mm



# Zigbee Wireless Wall Controller ( CCT )

SPECIFICATION SHEET

## ■ PRODUCT DETAILS

Product name	Zigbee Wireless Wall Controller
Product code	CT-ZB-TCCT-4
Description	Zigbee Wireless Wall Controller ( 4 Zone )

## ■ PRODUCT Features

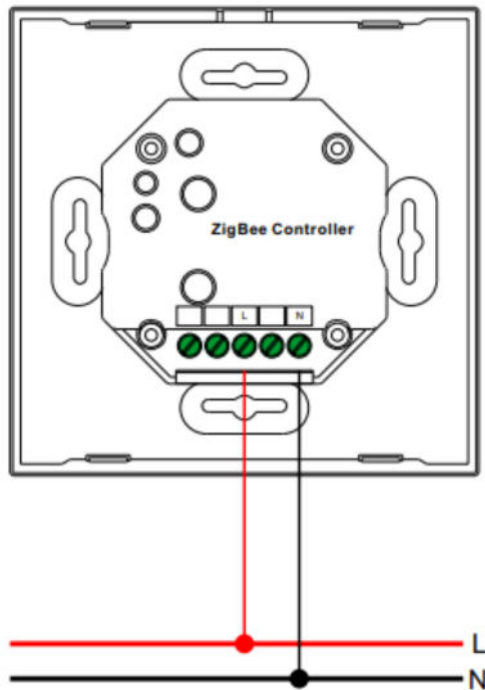
- Commercial Grade ZigBee LED Receiver
- Uses latest ZIGBEE 3 protocols
- Works up to 30m away from receiver
- Works with all ZIGBEE devices & hubs
- Extends ZIGBEE network
- Can control CCT Dual White LED Strip
- Can be set to 1, 2, 3, or 4 Independent Zones
- Works with Alexa / Google Home

## ■ PRODUCT DESCRIPTION

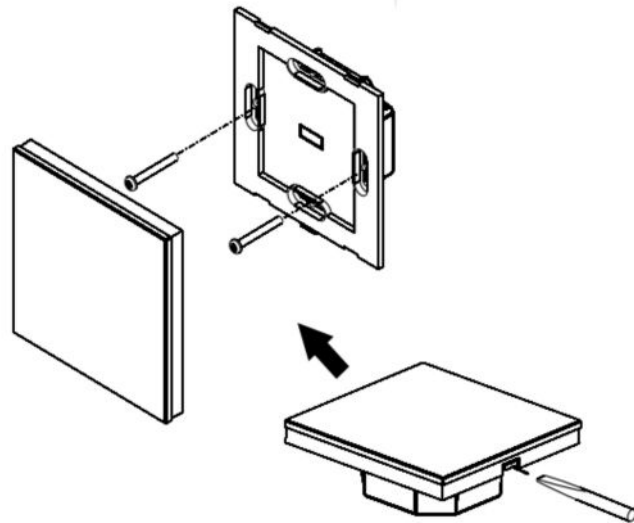
Multizone ZigBee touchpad dimmer offering fully compatible wireless lighting control for your ZigBee network. Manage up to four LED lighting zones from a single wall-mounted unit. The dimmer works with Alexa, Google Home or Philips Hue apps.

Boasting a sleek glass-effect finish with an easy and intuitive touch wheel to mix your ideal shade of white light from dual warm-white and pure white LED chips, this multizone CCT LED control can be linked to as many wireless receivers as you need. The unit communicates wirelessly via radio-frequency (RF) to your ZigBee system, up to a range of 20m with no need for a line-sight to the receiver. The compact unit also lets you store and then recall up to four presets..

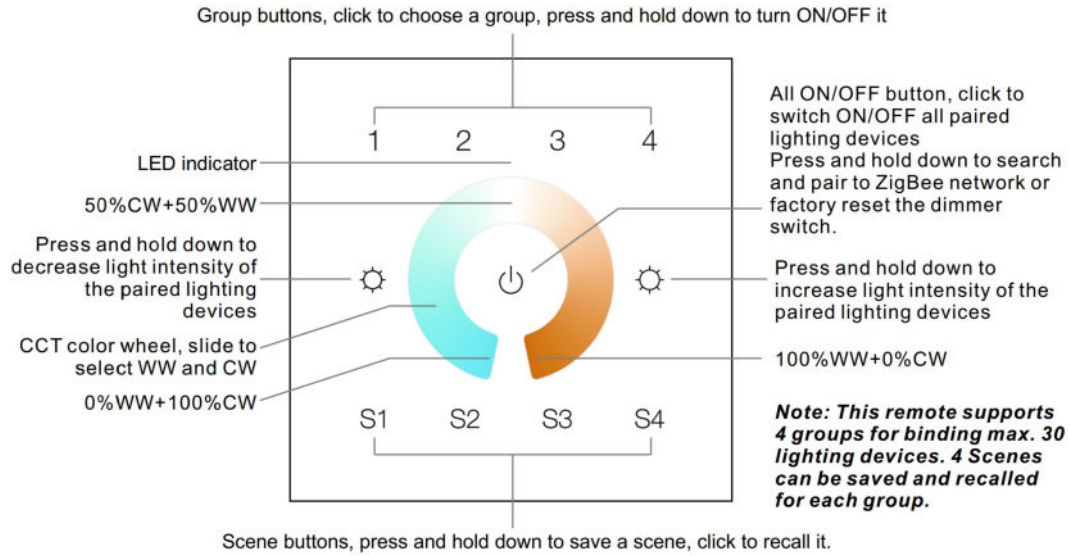
## ■ Wiring Diagram



## ■ Installation Diagram



## ■ Function Indicator



Zigbee Receiver



3 Zone Remote



## ■ Adding A Wall Controller to Alexa (Hue Bridge)

### Hue Bridge Instructions (step 1)

1. Connect your RGBW Wall Controller to the mains AC power, as shown in the controller's User Manual.
2. Check that your LED Strip Lights are turned on.
3. Open the Philips Hue App. Select "Light Setup" → "Add Light" → "Search".
4. On the RGBW Wall Controller, press & hold down the central 'Power' button until the Blue LED indicator comes on.
5. Now press the 'R' button on the Wall Controller (**DO NOT HOLD DOWN**), The Blue LED indicator will start to flash.
6. When the RGBW Wall Controller has paired successfully with your Philips Hue system, the Blue LED indicator will flash quickly 5 times. (**The Wall Controller will NOT show on the App**)

### Zigbee Receiver instruction (step 2)

7. On your Zigbee Receiver, connected to your LED Strip Lights, press the black 'Prog' button 3 times (**DO NOT HOLD DOWN**). The LED Strips Lights will start to flash slowly.
8. Check that your RGBW Wall Controller is not powered up (no Blue LED indicator showing). Now choose and press the Lighting Zone number to which you wish to connect your LED Strip Lights (1-4). (**DO NOT HOLD DOWN**)
9. On the RGBW Wall Controller, press & hold down the central 'Power' button until the Red LED indicator comes on.
10. Immediately press the 'S3' button on the Wall Controller twice (**DO NOT HOLD DOWN**).
11. The Blue LED indicator will flash quickly 4 times (Lights will flash twice) to show it has successfully connected to the Zigbee Receiver.

**Your system is now fully set up. You can control your lighting using the Philips Hue App, Amazon Alexa App, Wall Controller and your Amazon Alexa Device.**

## ■ Factory Reset Receiver

