

SUSHI datasheet

(SUSHI-DS, SUSHI-RB, SUSHI-RJ)
Date 3 June 2017



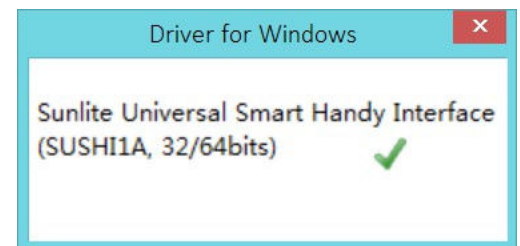
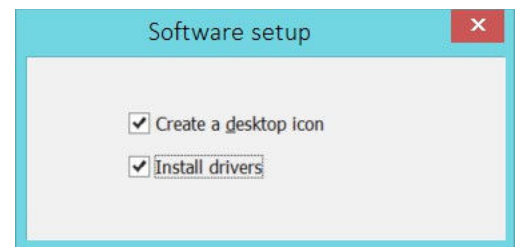
First instructions to use SUSHI

1) download software from our web site
www.dmxsoft.com or www.arcolis.com

2) start software setup
make sure to select "Install drivers"

3) with the USB cable, plug the SUSHI to the PC
windows detects the interface

4) start the software, if the SUSHI is recognized
a small windows appears



Driver for Windows

USB driver is automatically installed during the software setup.
We advice to install the software before to plug the USB interface.

Software for Windows

Easy Stand Alone 1 + Daslight DVC 1 + Sunlite 2004 + Lumidesk lite
(free download from www.dmxsoft.com or www.arcolis.com)

Important notes for Apple Mac users. Out of the package :

- SUSHI-DS, SUSHI-RB/RJ and myDMX AMIGO controllers do not include any Mac software.
- myDMX BUDDY controller includes a limited Mac version of myDMX 2 software. (No 3D visualizer, No Easy Remote or No Midi features)

More software (upgrades) are available on <https://store.dmxsoft.com>

Technical Data

Input Power: 5V DC 0.3A

Output Protocol: DMX (3 types of connector)

Output Connector: XLR 3pin (DS) Block 3 pins (RB) RJ45 8 pins (RJ)

Number of channels for live/pc use: 128 (expandable to 512)

Number of channels for stand alone use: 12 (expandable to 512)

Programmability: with PC/Windows (MAC in option)

Indicators (leds): 2

red : should blink fast (normal) otherwise the interface has a problem

green : blink fast in live/pc mode, blink slow in stand alone mode and display the scene number

if both leds blink together, the interface is in bootloader mode (contact us)

Button: 1 (access to next scene in stand alone mode)

I/O ports: 2 contact inputs (optional) with RJ version

Stand Alone Memory: 504 steps with 12 channels / 122 steps with 60 channels

26 steps with 256 channels, 10 steps with 512 channels (these values are for 4 scenes only)

DMX driver chipset: SP485ECP-L MAX485CPA+ ADM485JNZ

Temperature: -10 °C + 45 °C

Hardware Dimensions: 75x20x17mm (DS) 63x26x28mm (RB) 55x26x28mm (RJ)

Blister Dimensions (complete): 21x9x3,5 cm

Carton Dimensions (50 pieces): 50x25x30 cm

Hardware Weight: 37g (DS) 22g (RB) 21g (RJ)

Blister Weight (complete): 84g (DS) 69g (RB) 68g (RJ)

Carton Weight (50 pieces): 5,5Kg

Warranty: 12 months

DMX output / 3 types of connector

SUSHI-DS : XLR female 3 pins Connector pin1 ground pin2 data- pin3 data+

SUSHI-RB : SCREW Connector Block pin1 ground pin2 data+ pin3 data-

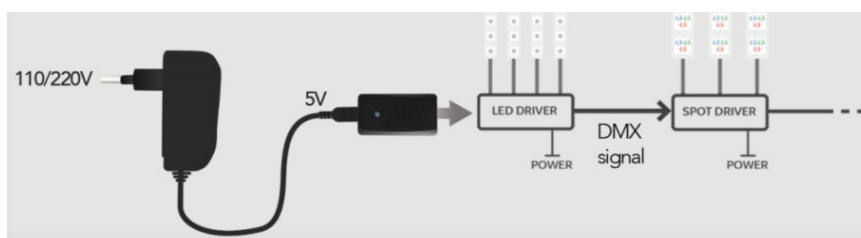
SUSHI-RJ : RJ45 8 pins Connector pin1 data+ pin2 data- pin8 ground

Stand alone use / power

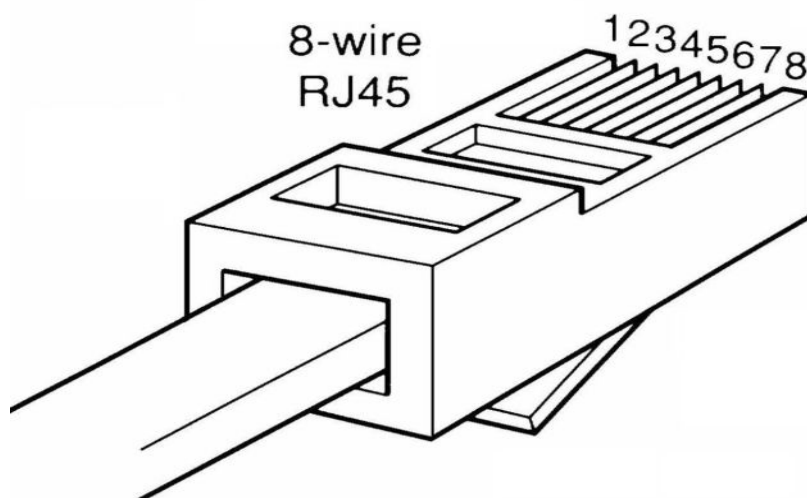
For stand alone use, the SUSHI can be powered by a standard 5V USB power

This optional power supply is available for a cost of USD 15.

(available with EU, UK or US plug)



RJ45 connector (SUSHI-RJ)



Use Pins 1,2,8 for DMX OUTPUT

1 = DMX+ 2 = DMX- 8 = DMX GROUND

Other pins : Reserved for electronic technicians !



5V Power input (4-5= VIN-5V 7=GROUND)
2 contacts inputs (3=Port1 6=Port2)

	RJ45
DMX +	1
DMX -	2
PORT1	3
VIN	4
VIN	5
PORT2	6
GND	7
GND	8

To power SUSHI through RJ45, connect J4 with 0 ohm resistor or by soldering

To power SUSHI through USB socket, connect J3 with 0 ohm resistor or by soldering

VIN should be 5V to 5,5V

Default mode is USB powered

How to use the 2 contacts inputs : make a contact between the Port (pin 3 or 6) and GND (pin 7 or 8)
Port triggering is not available by default (option). Contact us to know the price.