

Wireless Remote CCT Control (Single-Zone)

RF control for dual-white CCT LEDs

Commercial Grade



A complete dual-white LED control kit, including single-zone (2-channel) CCT receiver and handheld wireless remote. Installed with a suitable transformer, these two units will give you full control over your dual-white CCT LED tape.

The remote provides on-off control, full dimming, 2 x 'favourite shade' store/recall slots and white-light shade selection using colour wheel. Control and receiver are linked by an RF signal (434MHz/868MHz) with a range of up to 20m ('line of sight' not required).

Total output = 10A (5A per channel). The receiver can therefore drive up to 240w of 24v dual-white CCT LED tape. It offers control for a single CCT LED lighting zone; to manage multiple zones through a single control, a 6-zone remote unit is also available.

quick spec sheet

Product code: CT-RCCT-1

Physical construction

Colour White
Materials Plastic
IP Rating IP22

Dimensions:

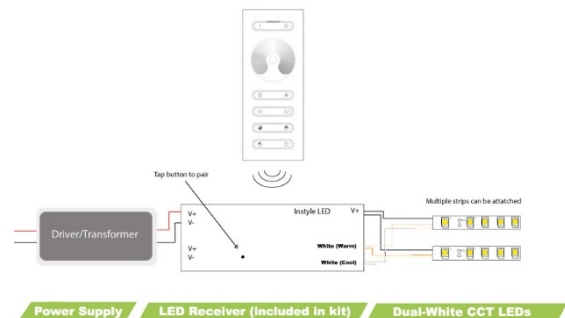
Remote 122 x 48 x 18mm
Receiver 145 x 48 x 17mm

Electrical

Input voltage 12 V or 24 V
Output voltage 12 V or 24 V
Output current 10 amps (2 x 5A)
Wattage 240W (24V)

wiring / connections

Wireless Remote for Dual-White CCT LEDs



<https://www.instyleled.co.uk/wireless-cct-controller-for-dual-white-led-tape/>

Instructions

